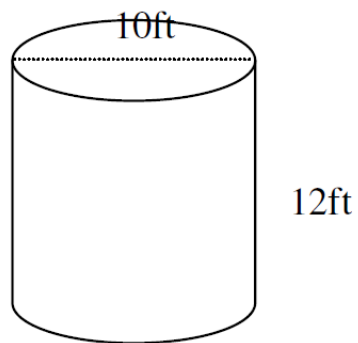
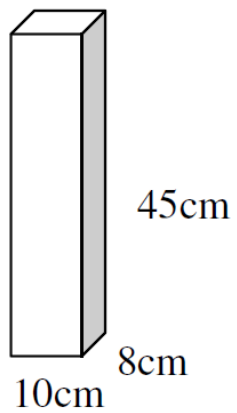


Surface Area - Practice

Determine the surface area of each object.



MFM 2P
Mr. Kempe

Name _____
Date: _____

